

Features

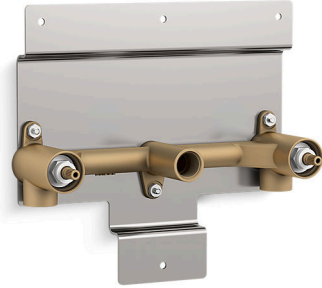
- For 8" (203 mm) centers.
- ½" (12.7 mm) quarter-turn washerless ceramic disc valves.
- 10.0 gpm (3.8 lpm) maximum flow rate at 45 psi (3.1 bar).
- Requires valve trim (sold separately).

Material

- Solid-brass construction for durability and reliability.

Installation

- Wall-mount.

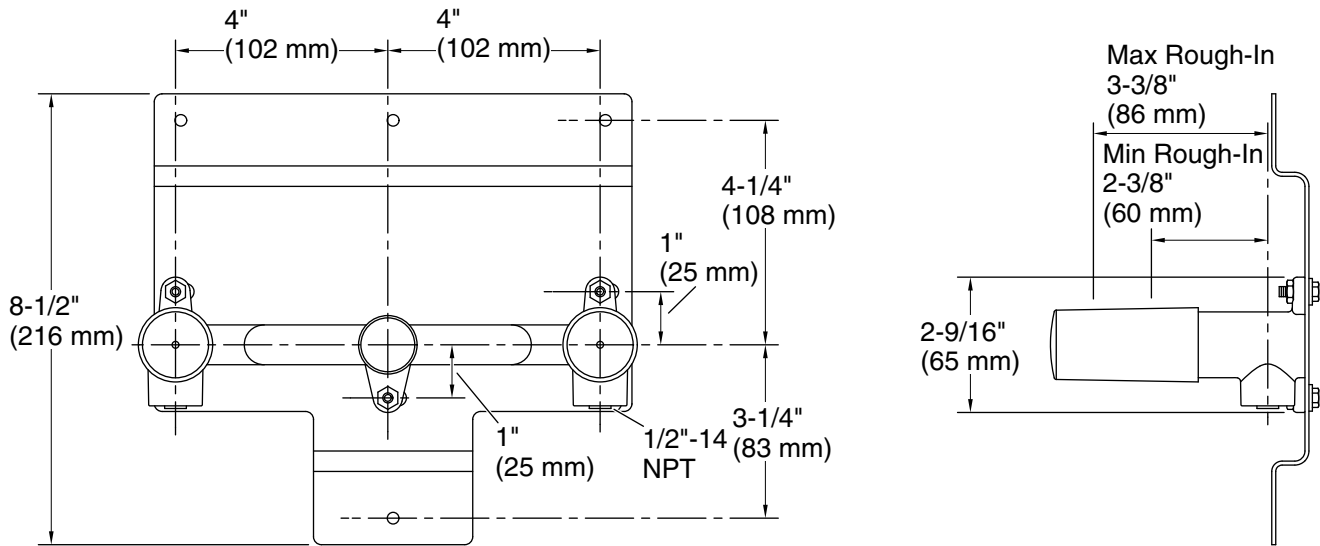


Codes/Standards

ASME A112.18.1/CSA B125.1

KOHLER® Electronic Faucets, Valves, and Controls Five-Year Limited Warranty

See website for detailed warranty information.



Technical Information

All product dimensions are nominal.

Notes

Install this product according to the installation instructions.